

# Design Your Floor Layout

P: 864.848.0099 F: 864.848.7467 E: info@GraceHallGreerSC.com

Name: \_\_\_\_\_

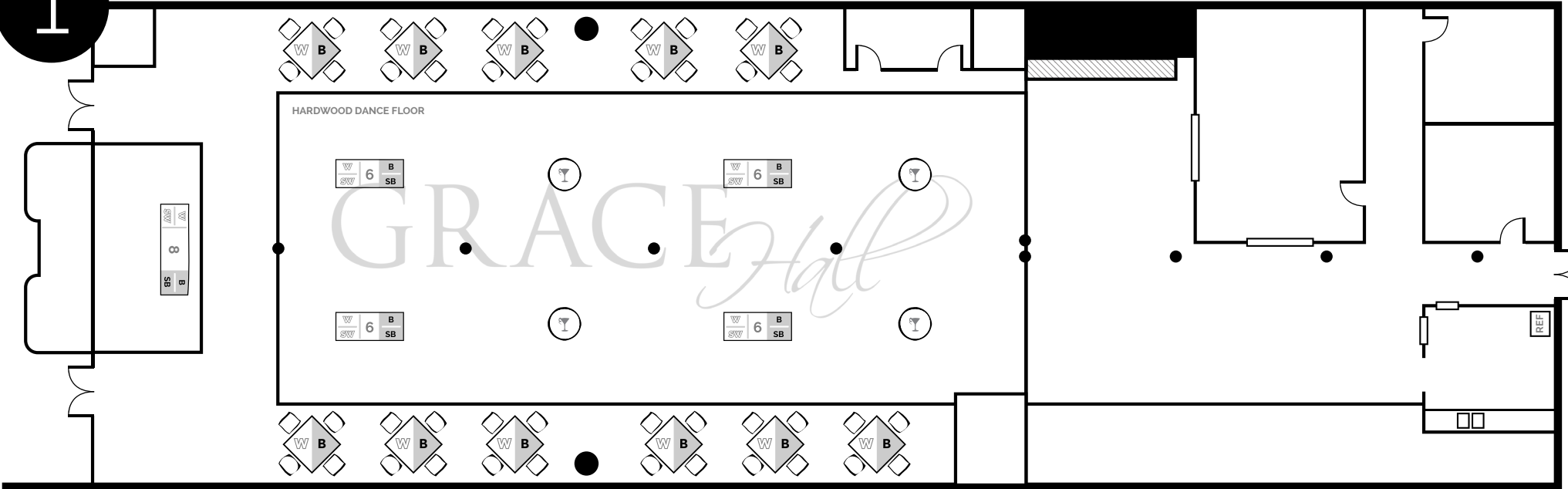
Event Date: \_\_\_\_\_

Phone: \_\_\_\_\_

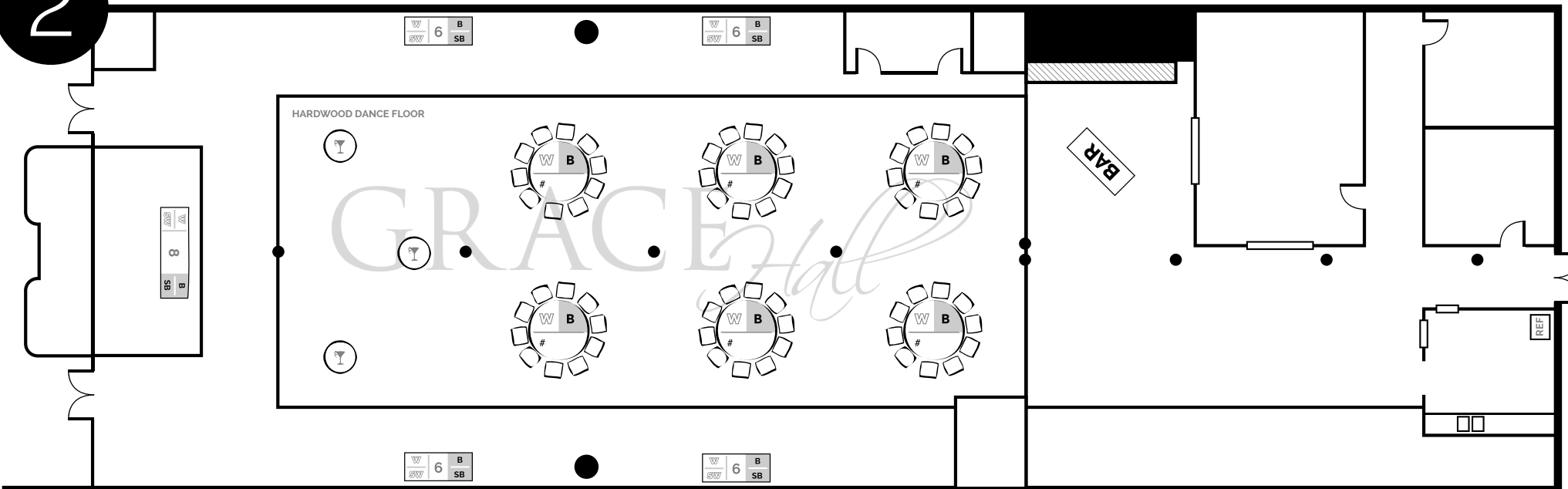
Arrival Time: \_\_\_\_\_

Event Time: \_\_\_\_\_

1



2



# Design Your Floor Layout

P: 864.848.0099 F: 864.848.7467 E: info@GraceHallGreerSC.com

Name: \_\_\_\_\_

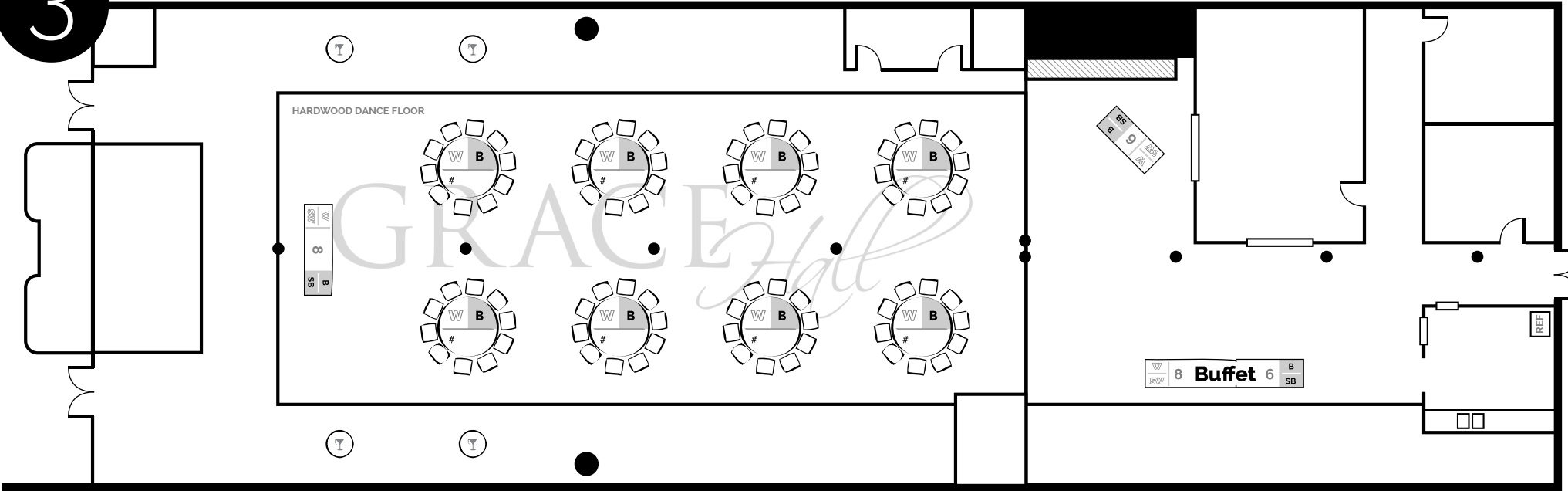
Event Date: \_\_\_\_\_

Phone: \_\_\_\_\_

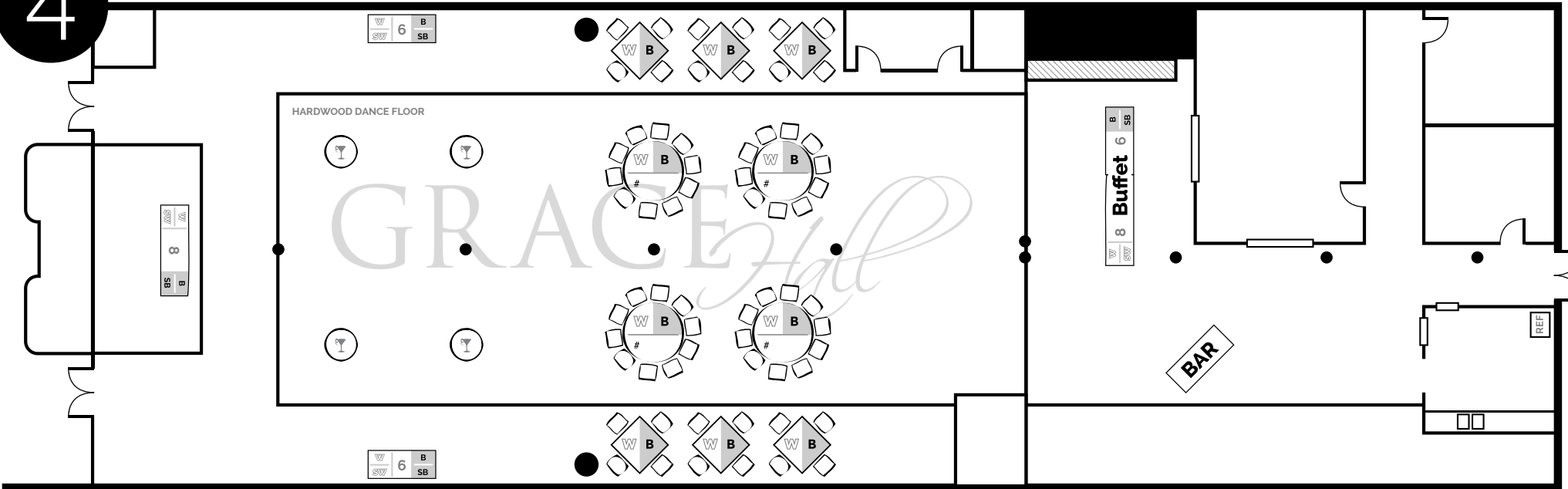
Arrival Time: \_\_\_\_\_

Event Time: \_\_\_\_\_

3



4



# Design Your Floor Layout

P: 864.848.0099 F: 864.848.7467 E: info@GraceHallGreerSC.com

Name: \_\_\_\_\_

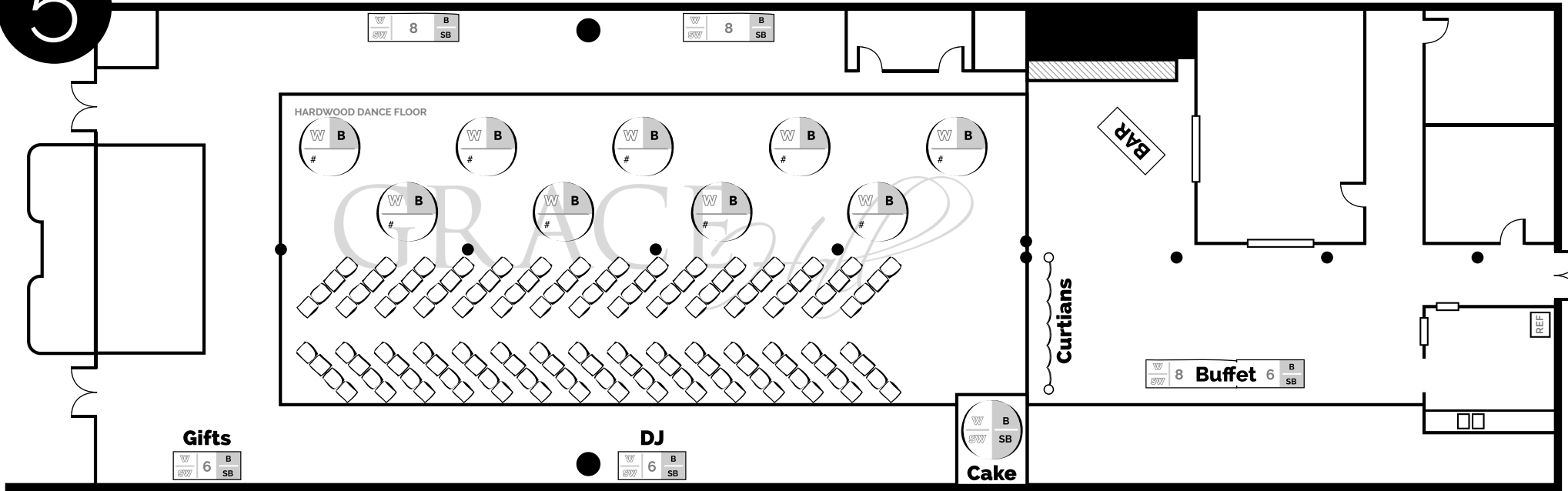
Event Date: \_\_\_\_\_

Phone: \_\_\_\_\_

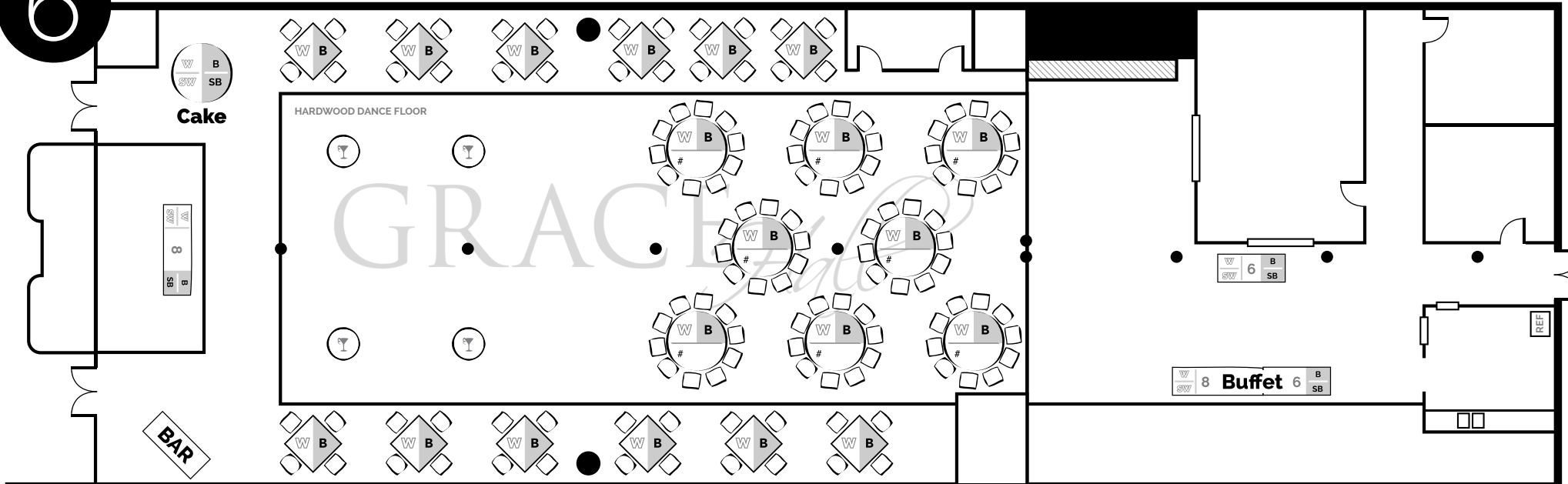
Arrival Time: \_\_\_\_\_

Event Time: \_\_\_\_\_

5



6



# Design Your Floor Layout

P: 864.848.0099 F: 864.848.7467 E: info@GraceHallGreerSC.com

Name: \_\_\_\_\_

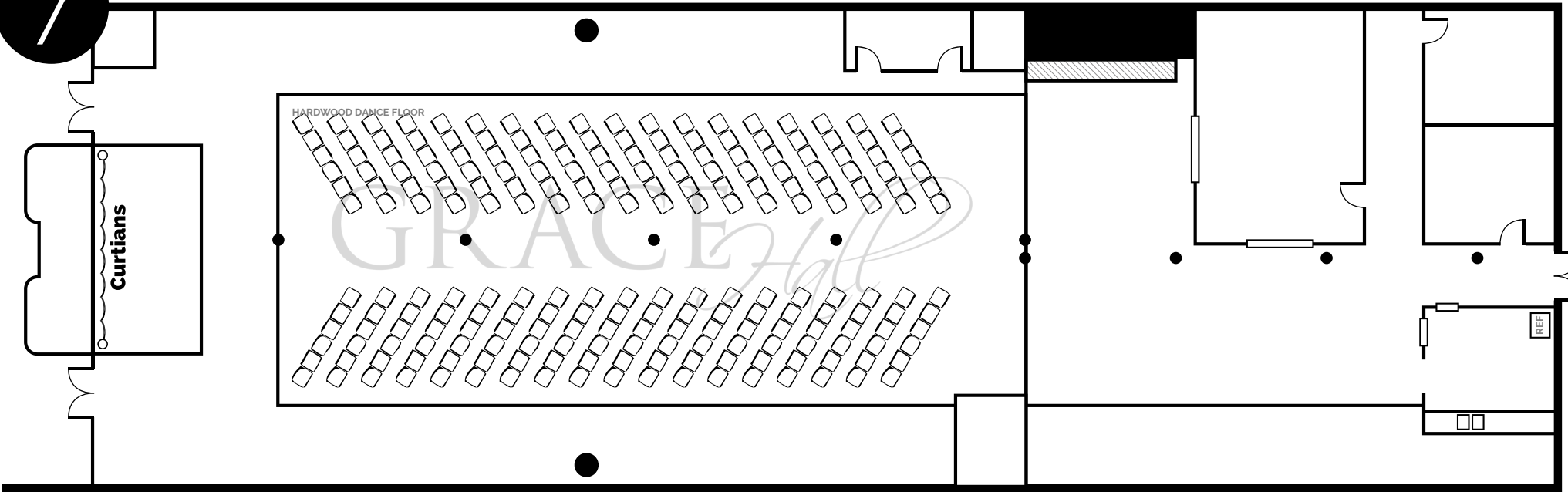
Event Date: \_\_\_\_\_

Phone: \_\_\_\_\_

Arrival Time: \_\_\_\_\_

Event Time: \_\_\_\_\_

7



8

